

License Key:  
AWAJW-MUM7E-W9SD9-KHR8K-5MB4G

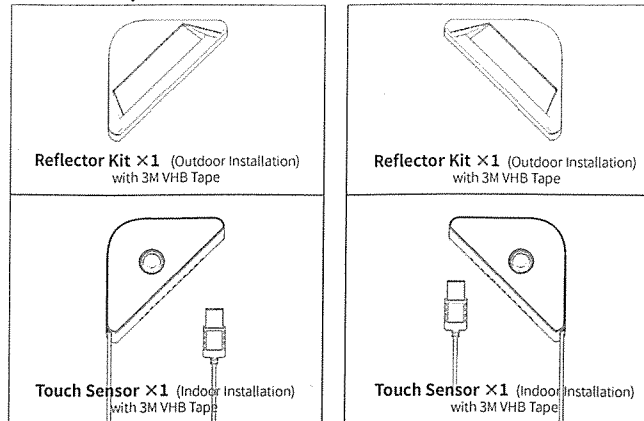
Ver. 1.0.0  
Copyright ©2018 PQ Labs

## 1 What's in the box

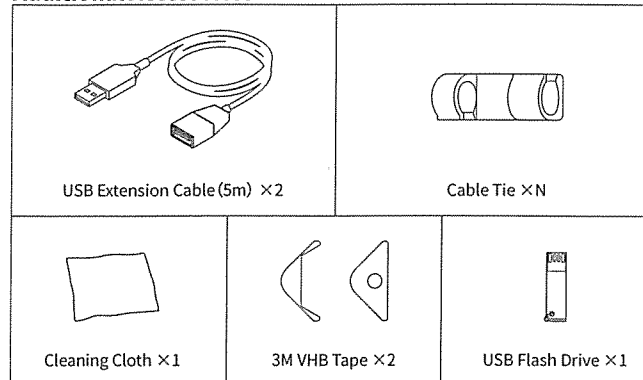
Q PD Labs  
GLASS TOUCH

Please check if all items below are included in your package, and contact your distributor if you have any questions.

### Touch Components



### Additional Accessories



## 2.1 Before We Get Started

Q PD Labs  
GLASS TOUCH

Please read and follow the instructions carefully before installing the touch sensor.

### System Requirements

#### Minimum System Requirements

PROCESSOR	Intel i5
GPU	NVIDIA GTX 950
RAM	4Gb

#### Recommended Requirements

PROCESSOR	Intel i5
GPU	NVIDIA GTX 1050
RAM	4Gb

## 2.2 Before We Get Started

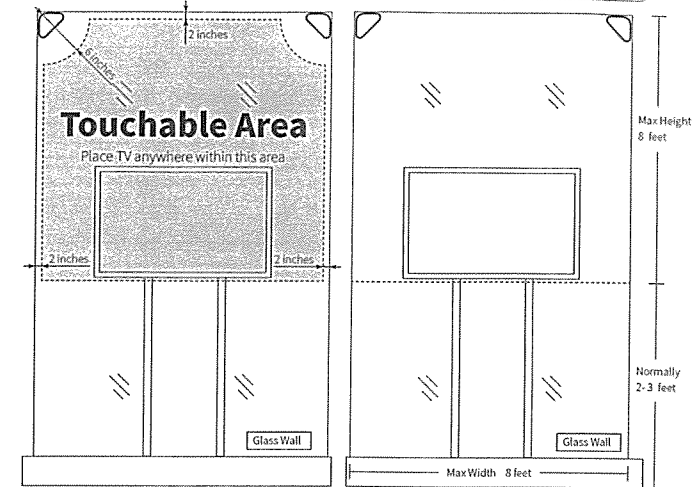
Q PD Labs  
GLASS TOUCH

### 1 Glass wall specifications

- Please make sure the glass wall meets the following specifications;
- Please keep the glass wall clean and dry before installation.

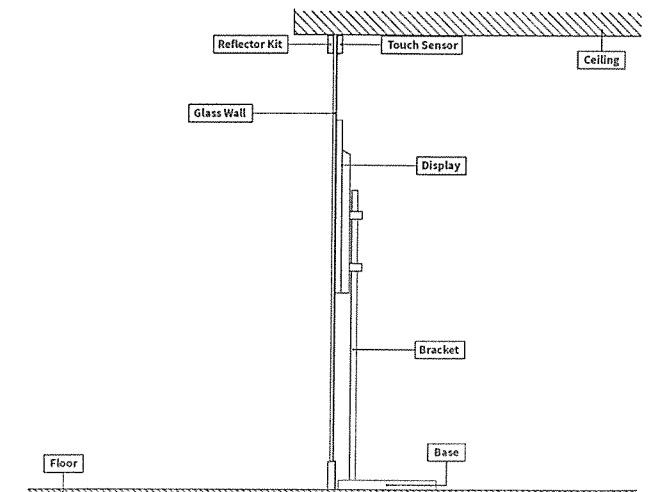
#### NOTE

Make sure glass temperature is higher than 50°F(10°C) while installing touch sensor.



### 2 Placing your display against glass wall

Please make sure the display surface is directly against the glass wall to ensure best touch accuracy.



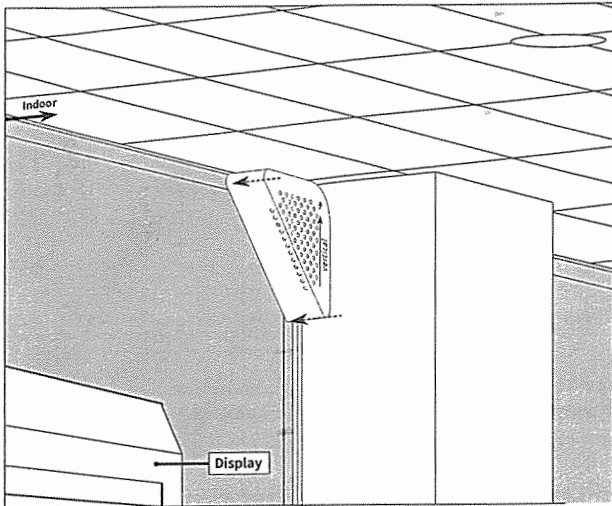
### 3.1 Installing Touch Sensor

Q PQ Labs  
GLASS TOUCH

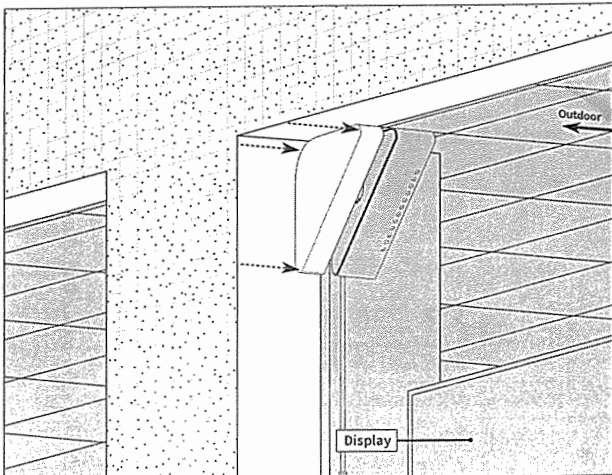
**Step 1 : Attach touch sensors to the glass wall's top corners.**

#### NOTE

- We recommend attaching sensors against the edge of glass wall to ensure the vertical & horizontal alignment. A laser leveler is recommended to align the sensor if they can't be placed at corners. See figure 3a.
- Please make sure your display has a minimum distance of 6 inches from touch sensor. See figure 3b.



**STEP 1:** Touch Sensor indoor installation.



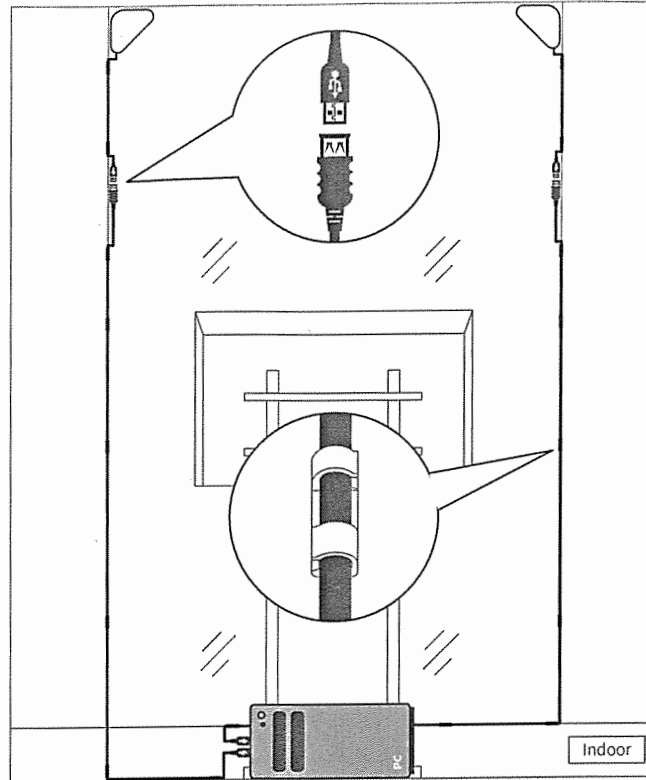
**STEP 2:** Reflector Kit outdoor installation.

### 3.2 Installing Touch Sensor

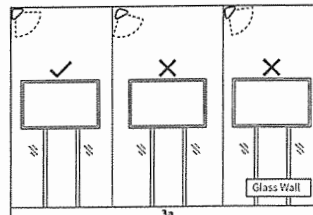
Q PQ Labs  
GLASS TOUCH

**Step 2 : Connect Sensors with PC via USB Cable**

- Please use USB extension cable provided in the box to connect to PC.
- Cable ties are provided to assist in cable routing.

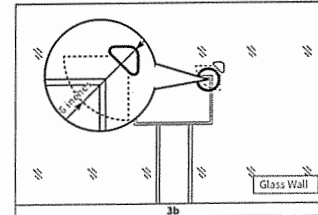


#### Installation Examples



#### Touch Sensor Alignment

Please align top edge with horizontal direction, and side edge with vertical direction.



#### Display too close to Touch Sensor

Make sure a minimum 6 inches distance from Touch Sensor to display.

### 4 Calibrating Touch Sensor

Q PQ Labs  
GLASS TOUCH

Please install Glass Touch Configuration Tool software from USB drive provided to set up your touch sensor. After installation, please open "Glass Touch" icon in your desktop, and follow the software instructions.

#### NOTE

Calibration is required in order for Touch Sensor to function, calibration tells Touch Sensor the accurate position of your screen.

### 5 FCC Statement

Q PQ Labs  
GLASS TOUCH

PQ Labs products that display the FCC logo are marketed through the self-declaration process. These products do not have, and are not required to have, an FCC ID number. Instead of an FCC ID number, an FCC DOC logo will appear indicating this device complies with Part 15 of the FCC Rules, Class B. Operation is subject to the following two conditions:

- (1) This device may not cause harmful interference;
- (2) this device must accept any interference received, including interference that may cause undesired operation.



Federal  
Communications  
Commission