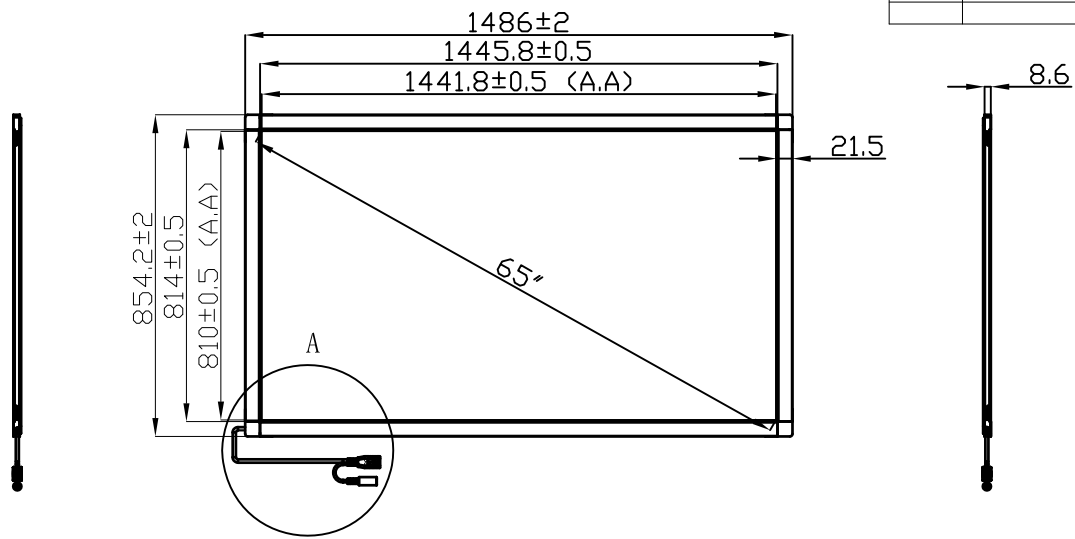
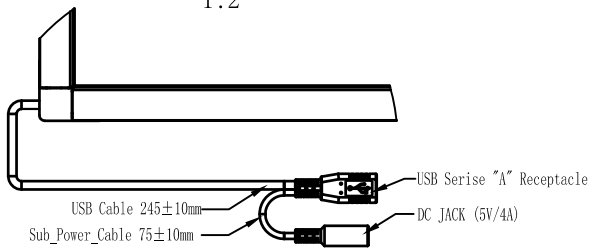


| Rev. | design change reason | Date | Name |
|---------|----------------------|------------|-------|
| Ver 1.0 | Release | 2012/09/05 | Nancy |
| | | | |
| | | | |



A
1:2



Technical Requirements:
 1. Dimensionless Units: mm;
 2. Accords with RoHS standard.

| Tolerances | Pos. | Object | Material | Mass | title |
|--------------|-------|--|----------------|----------|-----------------|
| 0-10mm | ±0.05 | Projection | Drawn | Remarks | G4-65" Assembly |
| 10-50mm | ±0.07 | | Check | Scale | |
| 50-100mm | ±0.1 | Part No. | Brassing Brass | Dwg. Nr. | |
| 100-1000 | ±0.15 | | Type | Date | |
| 1000-10000 | ±0.2 | The information contained herein is confidential and proprietary, and any copying redistribution of the information contained here is strictly prohibited without formal/written permission of PQ Labs Inc | | | |
| 10000-100000 | ±0.3 | | | | |