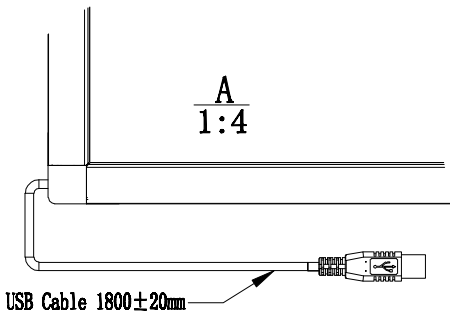
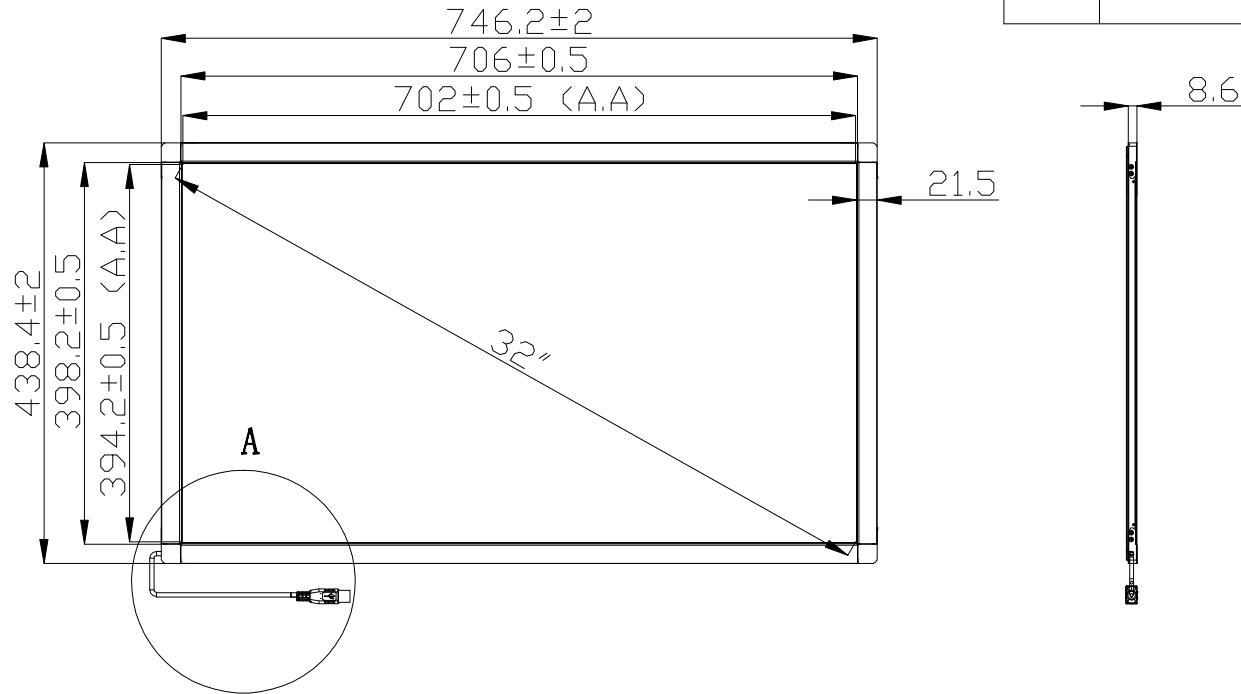


Rev.	design change reason	Date	Name
Ver 1.0	Release	2015/01/08	Damon



**Technical Requirements:**  
 1. Dimensionless Units: mm;  
 2. Accords with RoHS standard.

Tolerances	Pos.	Object	Material	Mass	Title
Grade A Grade B		Projection	Drawn	Remarks	G5-32" Assembly
0 ~ 10(mm)	±0.5 ±0.5	Qty.	Check	Scale	
10 ~ 50(mm)	±0.5 ±0.5	Part No.	Drawing frame	Dwg. Nr.	
50 ~ 100(mm)	±1.0 ±1.5		Date	Nr./sheet.	
100 ~ (mm)	±2.0 ±3.0	The information contained herein is confidential and proprietary, and any copying redistribution of the information contained here is strictly prohibited without formal/written permission of PQ Labs Inc			
Angle	1° ~ ±2°				

