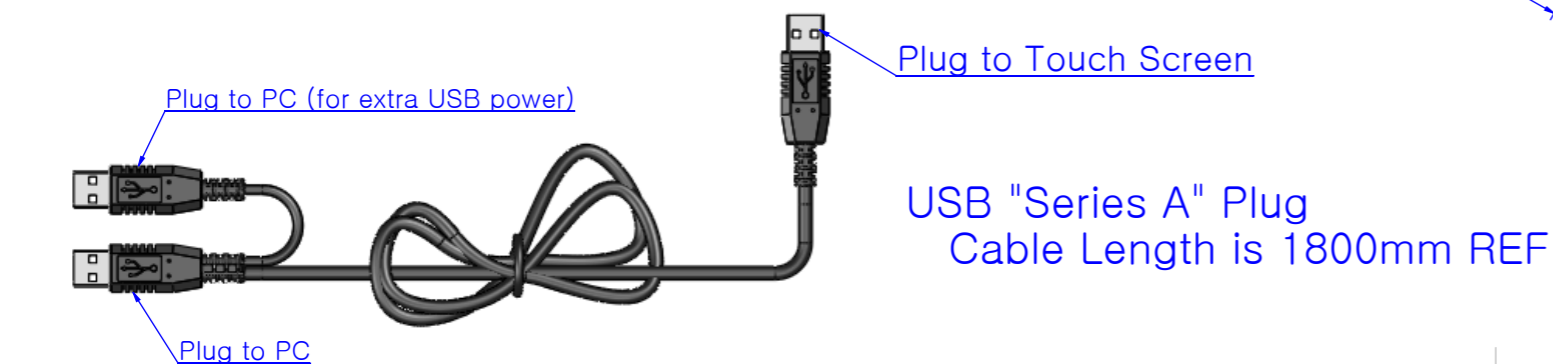
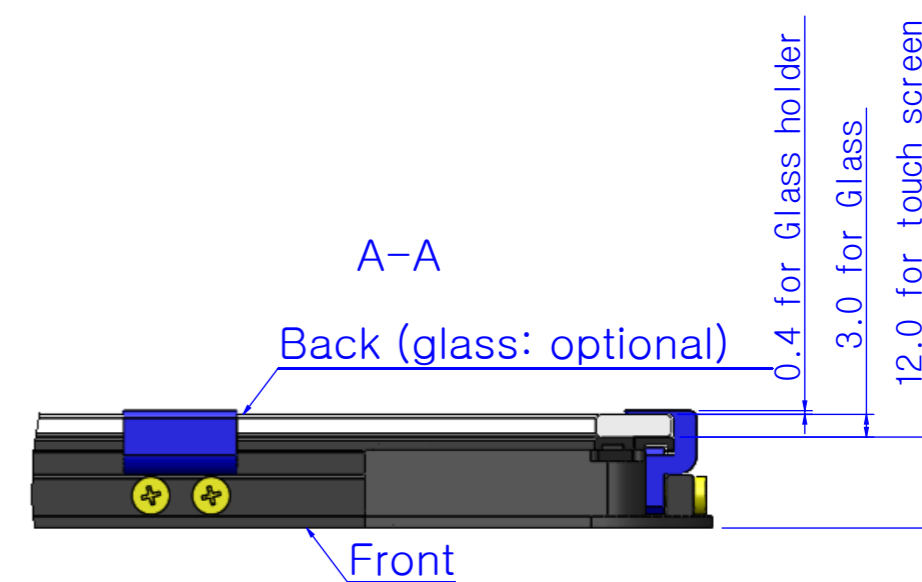
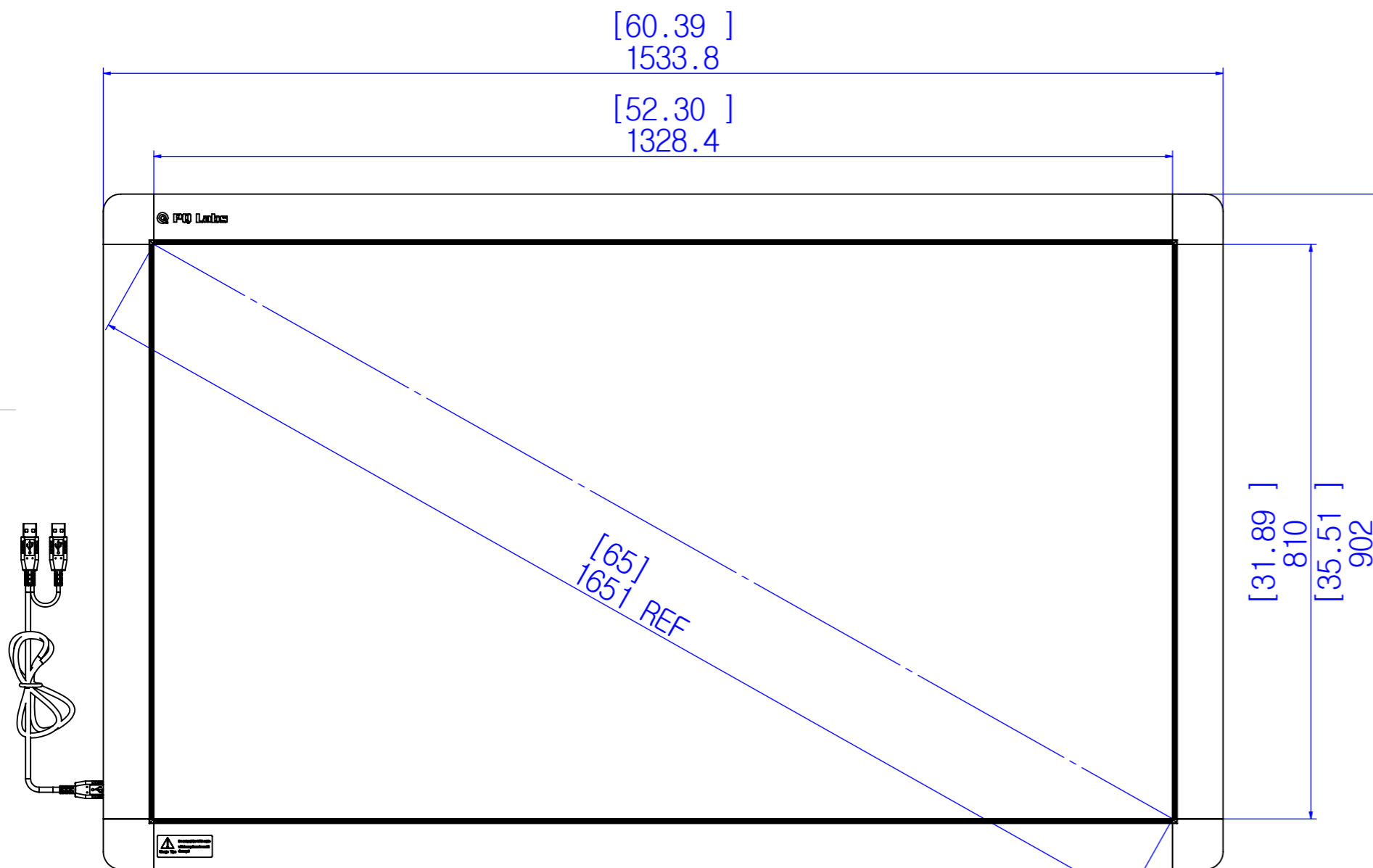
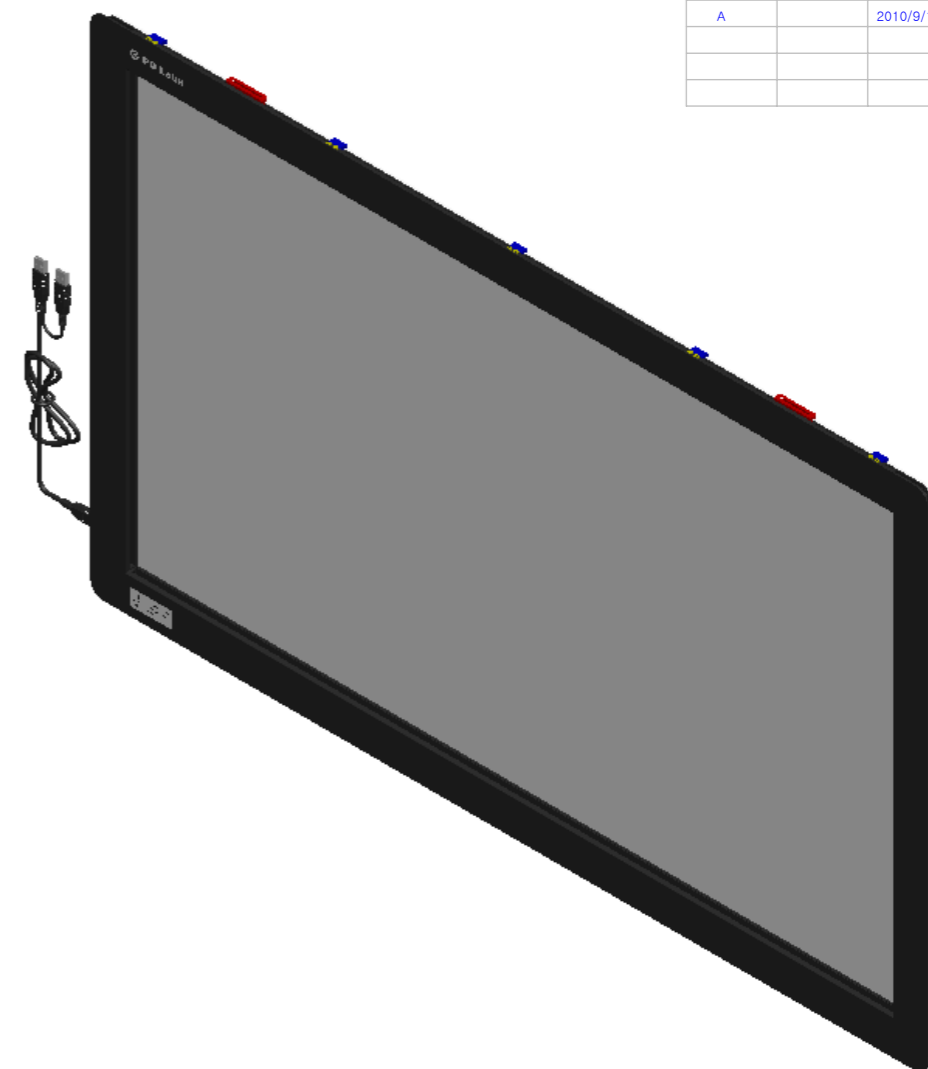
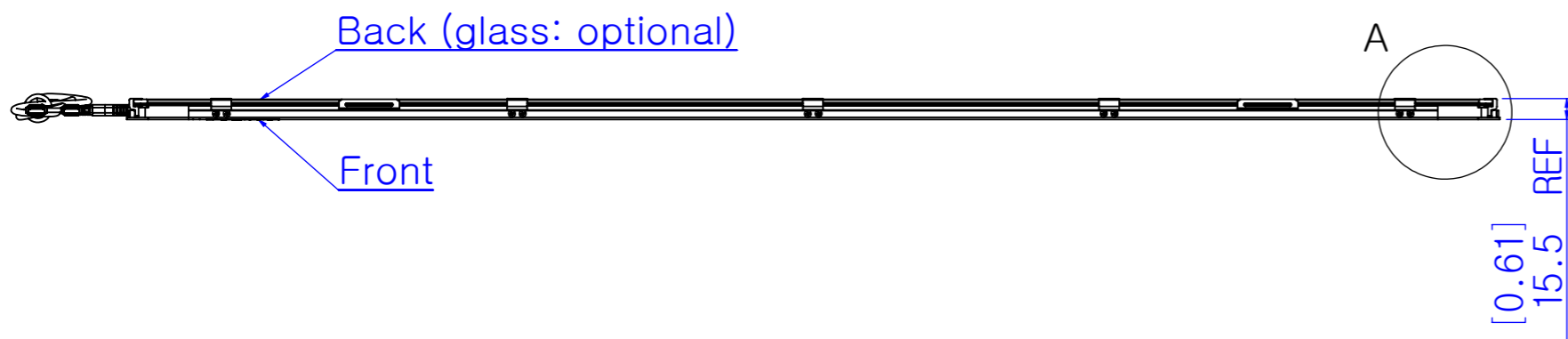


Rev.	Eco.	Date	Name
A		2010/9/16	Daniel



Finish
Surface Treatment

Qty.	Pos.	Object	Material	in Kg Mass	Remarks	Part No.	Type
		PQ Labs					
Title							
Multi-Touch G3D 65"							
Drawn							Name
Released							Date
Dwg. Nr.							Nr./sheet
3							Scale

This drawing and information here in is the property of PQ Labs, Inc. and is to be used in confidence. It shall not be copied or given to any third party without written permission from PQ Labs, Inc.