

3M™ Multi-Touch Display C3266PW

Large Multi-Touch Display Delivers Ultimate User Experience

The **3M™ Multi-Touch Display C3266PW** is engineered by 3M as a fully-integrated 32" multi-touch display that combines cutting-edge 3M Projected Capacitive Touch Technology (3M PCT) with a stunning industrial grade, full high-definition, 120Hz LCD display to create the ultimate user interface. This large format multi-touch capability enables true multi-user interaction for cutting edge collaborative and interactive applications. 3M PCT delivers 10 simultaneous touches at an ultra-fast 10 millisecond response time while rejecting palms, allowing developers to create a more natural, intuitive and responsive user experience when compared to infrared-based and optical-based systems. The C3266PW display is supplied with a robust bezel for interactive digital signage solutions or the bezel can be removed to create modern flat front surface interactive tables and kiosk solutions.

Precision Large-format Multi-Touch

In addition to delivering fast multi-touch response, 3M touch electronics have advanced built-in palm rejection algorithm to help ensure that unintended contact with the screen is ignored and does not interfere with the user's intended action. The design of the projected capacitive sensor has more than 6000 touch sensing points in close proximity, making it precise and extremely accurate across the entire touchscreen. 3M PCT's durable glass surface has unique anti-stiction properties that greatly reduces surface friction and allows users' fingers to effortlessly glide across the display for easy gesture functions. This fast, accurate, and easy-to-use multi-touch screen enables customers to create, deliver and experience innovative and engaging multi-user applications.

Industrial Grade Designed for Multi-Touch Interaction

The C3266PW display has been designed from the ground up to meet the unique requirements of a large format multi-touch display. Unlike televisions or digital signs, an interactive multi-touch display draws users in close proximity to the LCD. To maintain sharp image quality at close distances and brilliant content at any angle, the C3266PW display features a full HD 1080p resolution LCD with an ultra-wide 178 degree viewing angle. Even with dynamic content, the display maintains smooth motion transitions with the 120Hz refresh rate, which is two times faster than the industry standard of 60Hz. An advanced thermal management system is designed to keep the touch surface at a comfortable temperature for the user and to promote robust 24/7 performance of critical electronic components.



Recommended Multi-Touch Applications

- Retail Product Selectors
- Casino Gaming
- Wayfinding
- Security Monitoring Systems
- Training and Simulation
- Telepresence
- Digital Signage
- Arcade Gaming
- Point of Information
- Pro Audio/Visual
- Geospatial
- Broadcast

Every element of the of the C3266PW display is designed to simplify system level integration while meeting the demanding needs of a public environment. The LED backlight system allows integrators to mount the display in landscape, portrait or horizontal orientations without concern of non-uniformity that CCFL systems can exhibit. At just 2.6" deep and 26 lbs the C3266PW display can be a sleek wall-mounted interactive digital sign or a slim interactive table or kiosk. The chemically-strengthened all glass surface provides breakage resistance, while the printed black border allows designers to create modern flat front surface kiosks and tables.

Feature	Benefit
3M PCT Multi-Touch Technology	<ul style="list-style-type: none">• 10 finger multi-touch input with palm rejection capability enables engaging single and multiple user interactions• Fast 10 millisecond touch response creates a natural, intuitive and responsive interface• Anti-stiction surface enhances the user experience for simple and advanced gestures
Premium Display Technology	<ul style="list-style-type: none">• Full HD resolution with fine pixel pitch maintains sharp image quality while performing up-close interactions• 120Hz refresh rate keeps content crisp and clear while users interact• Ultra-wide viewing angle presents a brilliant image at any angle• LED backlights present a long lasting, bright, uniform image regardless of integrated orientation
Versatile Product Design	<ul style="list-style-type: none">• Ultra-slim (2.6" deep) and lightweight (26 lbs) display enables designers to create compelling multi-touch applications• Advanced thermal system to maintain comfortable touch screen temperature• Chemically-strengthened glass construction enables modern durable flat front surface designs• Fully integrated multi-touch display simplifies implementation of multi-touch into product portfolio• Robust Bezel for wall mounting or remove bezel for modern flat front surface integrations.



3M™ Multi-Touch Display C3266PW Specifications

Functional Specifications

Display Details

LCD Technology	IPS (In Plane Switching)
Display Colors	1.06 billion
Pixel Pitch	.364 x .364mm
Brightness	450 cd/m2 (nit) typical
with touch sensor (max.)(1)	392 cd/m2 (nit) typical
Contrast Ratio (2)	1300:1 typical
Viewing Angle	Horizontal/Vertical: 178 degrees typical
Video Response Time (3)	5 ms typical
Refresh Rate	120Hz
Control Type	OSD
Native Resolution	1920x1080

(1) Brightness measured on a display with 3M™ Projected Capacitive sensor.

(2) Measured at a contrast ratio of 10.

(3) Gray to Gray

Touch Details

Number of Touch Points	10 points with palm rejection
Touch Point Speed	10ms
Input Type	Finger, thin glove
Touch Communication	Auto detecting, USB and RS232 (Serial)
Operating System Support	Windows 7/ Vista / XP, Linux

Physical Specifications

Product Details

Operating Environment	0 to +40 degrees C, relative humidity, non-condensing 90%
Storage Environment	-10 to +60 degrees C
Video Input	DVI, VGA, HDMI
VESA Pattern	200mm x 200mm
Power Supply	Internal 110/220 VAC Power Supply
Power Consumption	100 watts maximum
RoHS Compliant	Yes
Agency Approvals	FCC-B, CE, TUV
Warranty	1 Year

Dimensions and Weight

Display Area (WxH) (viewing area)	698.40 x 392.85 mm 27.5 x 15.5 inches
Packaging (WxHxD)	918.21 x 596.90 x 205.74 mm 36.15 x 23.5 x 8.1 inches
Display weight	12.70 kg / 28 lbs
Packaging/Display weight	18.6 kg / 41 lbs
Warranty	1 year on touch display Unlimited touch warranty

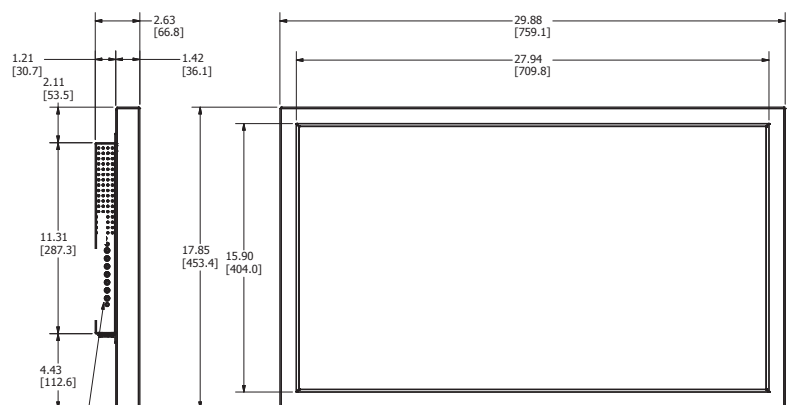
Ordering Information

Part Number	98-0003-3695-2
-------------	----------------



Clearly labeled,
easy access
OSD controls

Wide variety of connections



3M Touch Systems UK Ltd.

The Votec Centre
Hambridge Lane
Newbury, Berkshire,
RG14 5TN
United Kingdom
+44 (0) 1635 264 123

www.3M.com/touch

RoHS Directive compliant: In accordance with European Directive 2002/95/EC, "RoHS Directive compliant" means that the product or part does not contain any of the following substances in excess of the following maximum concentration values in any homogeneous material, unless the substance is in an application that is exempt under RoHS: (a) 0.1% (by weight) for lead, mercury, hexavalent chromium, polybrominated biphenyls or polybrominated diphenyl ethers; or (b) 0.01% (by weight) for cadmium. Unless otherwise stated by 3M in writing, this information represents 3M's knowledge and belief based on information provided by third party suppliers to 3M. (9/06)

IMPORTANT NOTICE TO PURCHASER: Specifications are subject to change without notice. These 3M Touch Systems' Products and software are warranted to meet their published specifications from the date of shipment and for the period stated in the specification. 3M Touch Systems makes no additional warranties, express or implied, including but not limited to any implied warranties of merchantability or fitness for a particular purpose. User is responsible for determining whether the 3M Touch Systems Products and software are fit for User's particular purpose and suitable for its method of production, including intellectual property liability for User's application. If the Product, software or software media is proven not to have met 3M Touch Systems' warranty, then 3M Touch Systems' sole obligation and User's and Purchaser's exclusive remedy, will be, at 3M Touch Systems' option, to repair or replace that Product quantity or software mediator to refund its purchase price. 3M Touch Systems has no obligation under 3M Touch Systems' warranty for any Product, software or software media that has been modified or damaged through misuse, accident, neglect, or subsequent manufacturing operations or assemblies by anyone other than 3M Touch Systems. 3M Touch Systems shall not be liable in any action against it in any way related to the Products or software for any loss or damages, whether non-specified direct, indirect, special, incidental or consequential (including downtime, loss of profits or goodwill) regardless of the legal theory asserted. (7/02)

